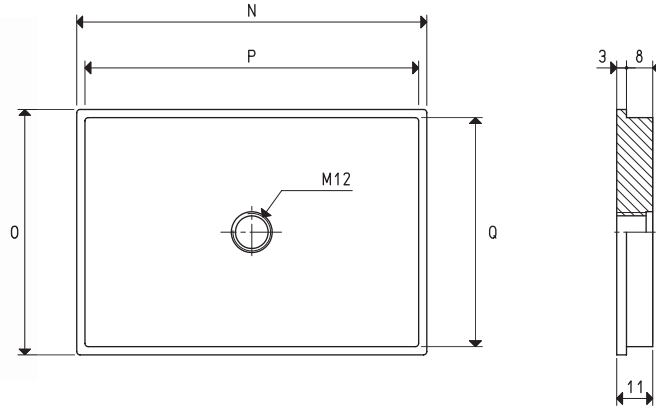
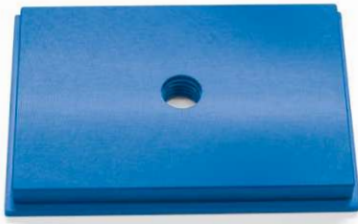


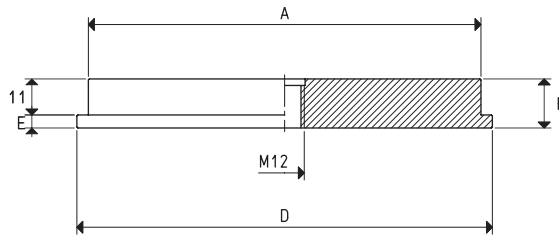


SUPPORTS FOR VACUUM CUPS

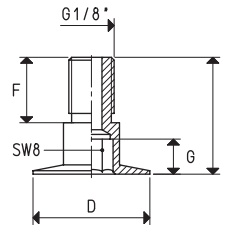
3D drawings are available on vuotecnica.net



Item	N	O	P	Q	Support material	For vacuum cup item	Weight g
00 08 34	107	75	102	70	aluminium	01 107 75 01 120 90	215.5



Item	A ∅	D ∅	E	H	Support material	For vacuum cup item	Weight g
00 08 35	120	127	4	15	aluminium	01 150 10	471.3



Item	D ∅	F	G	H	Support material	For vacuum cup item	Weight g
00 08 44	25	14	7.5	25	aluminium	01 45 10 01 60 10	5.1

Transformation ratio: N (newton) = Kg x 9.81 (force of gravity)

inch = $\frac{\text{mm}}{25.4}$; pounds = $\frac{\text{g}}{453.6} = \frac{\text{Kg}}{0.4536}$

Adapters for GAS - NPT threading available on page 1.130