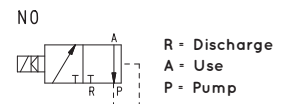
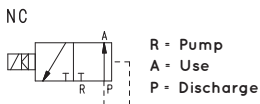
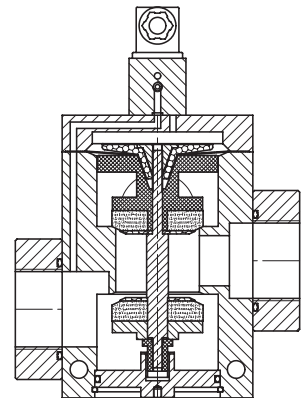
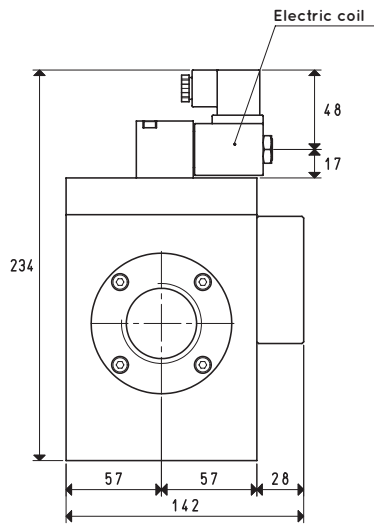
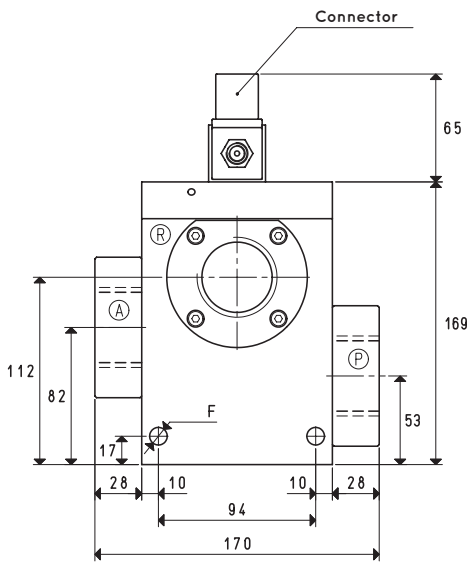




DIRECT DRIVE 3-WAY VACUUM SOLENOID VALVES

3D drawings are available on vuotecnica.net



Item	A Ø	Max flow rate m³/h	Level of vacuum abs. mbar		Reaction time msec		Mouth Ø	Cross-section of passage mm²	F Ø	Weight Kg
			min	max	energ.	de-energ.				
07 06 40 NC	G1" 1/2	230	850	0.5	75	50	40	1256	10.5	5.90
07 06 40 NO					70	60				

Note: The coil and the connector are not integral parts of the solenoid valve and, therefore, must be ordered separately (See accessories for solenoid valves).

Transformation ratio: N (newton) = Kg x 9.81 (force of gravity)

inch = $\frac{\text{mm}}{25.4}$; pounds = $\frac{\text{g}}{453.6} = \frac{\text{Kg}}{0.4536}$

Adapters for GAS - NPT threading available on page 1.130