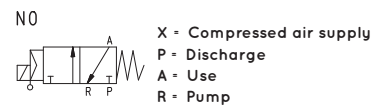
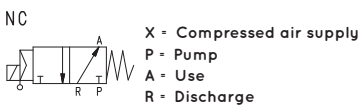
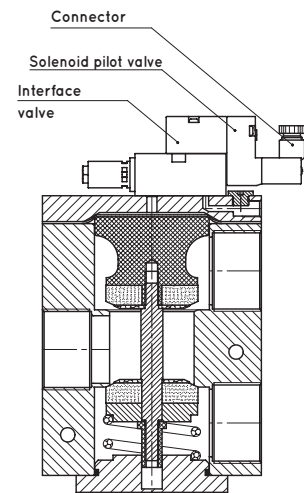
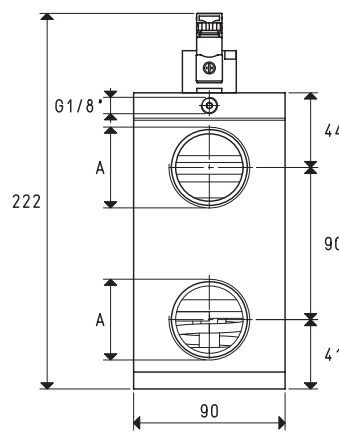
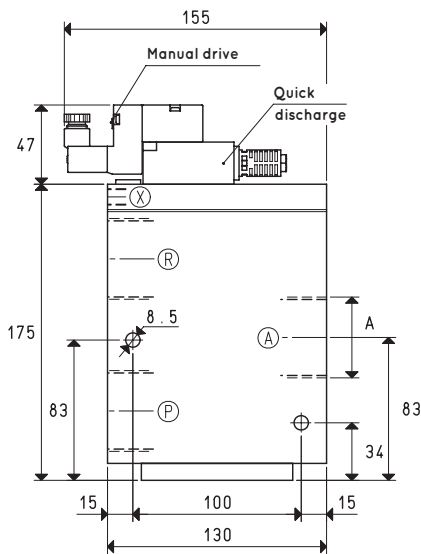


SERVO-CONTROLLED 3-WAY VACUUM SOLENOID VALVES WITH LOW ABSORPTION ELECTRIC COIL



Item	A Ø	Max flow rate m ³ /h	Level of vacuum abs. mbar		Reaction time msec		Mouth Ø	Cross-section of passage mm ²	Pressure at servo-controlled *bar	Weight Kg
			min	max	energ.	de-energ.				
07 06 13	G1"1/2	230	1000	0.5	60	38	40	1256	6 ÷ 8	4.50

* Add the letters LP to the item for servo-controlled pressures 4 - 6 bar.

Note: Specify the voltage of the electric coil when ordering. (Example: 07 06 13 V24-CC)

The connector is not integral parts of the solenoid valve and, therefore, must be ordered separately (See accessories for solenoid valves).

Solenoid valve servo-controlled power must be supplied with non-lubricated compressed air, 5 micron filtration, according to standard ISO 8573-1 class 4.