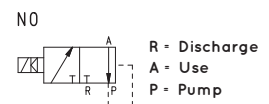
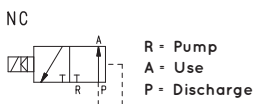
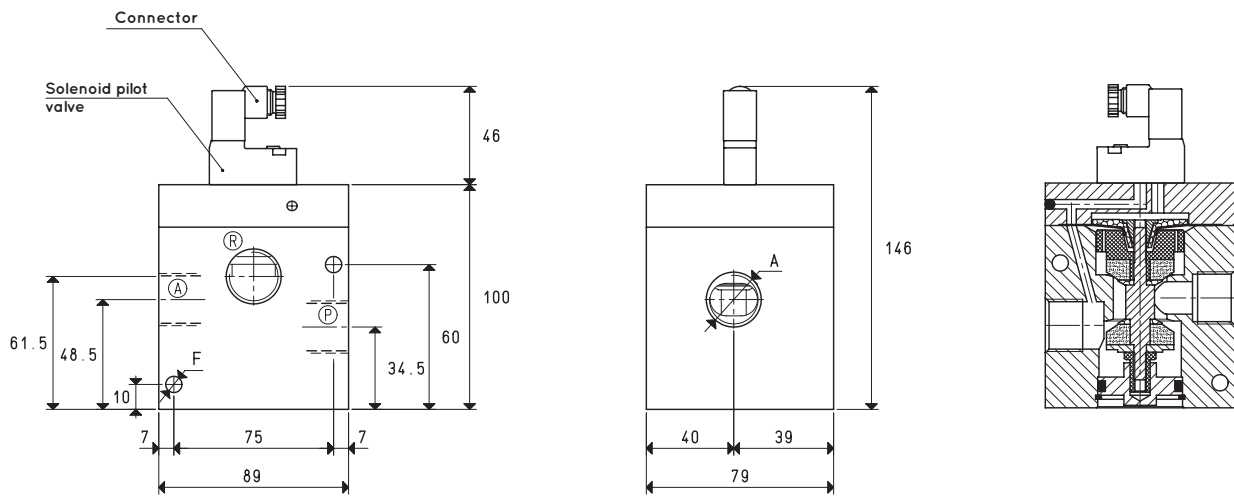


DIRECT DRIVE 3-WAY VACUUM SOLENOID VALVES WITH BISTABLE IMPULSE SOLENOID PILOT VALVE AND WITH LOW ABSORPTION ELECTRIC COIL



Item	A	Max flow rate m ³ /h	Level of vacuum abs. mbar		Reaction time msec		Mouth Ø	Cross-section of passage mm ²	F Ø	Weight Kg
			min	max	energ.	de-energ.				
07 05 63 NC	G1"	90	850	0.5	42	20	25	490	6.5	1.65
07 05 63 NO					28	22				

Note: Specify the voltage of the electric coil when ordering. (Example: 07 05 63 NC V24-CC)

The connector is not integral parts of the solenoid valve and, therefore, must be ordered separately (See accessories for solenoid valves).