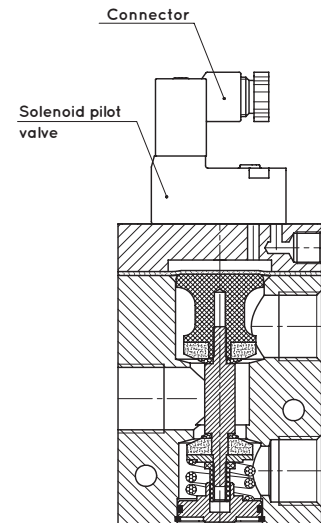
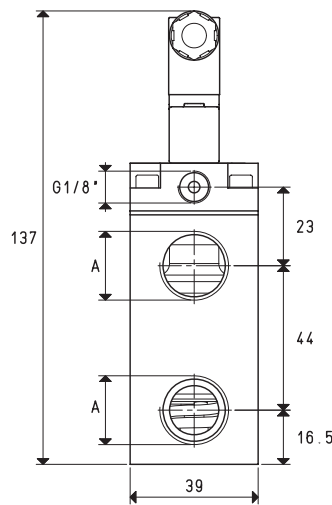
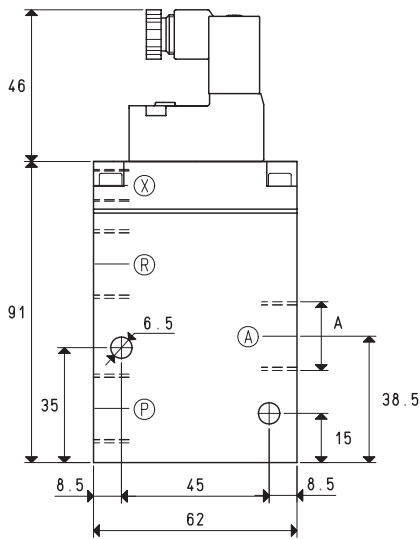
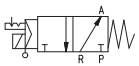


SERVO-CONTROLLED 3-WAY VACUUM SOLENOID VALVES WITH BISTABLE IMPULSE SOLENOID PILOT VALVE AND WITH LOW ABSORPTION ELECTRIC COIL

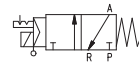


NC



X - Compressed air supply
P - Pump
A - Use
R - Discharge

NO



X - Compressed air supply
P = Discharge
A = Use
R = Pump

Item	A Ø	Max flow rate m³/h	Level of vacuum abs. mbar		Reaction time msec		Mouth Ø	Cross-section of passage mm²	Pressure at servo-controlled *bar	Weight Kg
			min	max	energ.	de-energ.				
07 03 53	G1/2"	20	1000	0.5	16	40	15.0	176	6 ÷ 7	0.52

* Add the letters LP to the item for servo-controlled pressures 4 - 6 bar.

Note: Specify the voltage of the electric coil when ordering. (Example: 07 03 53 V24-CC)

The connector is not integral parts of the solenoid valve and, therefore, must be ordered separately (See accessories for solenoid valves).