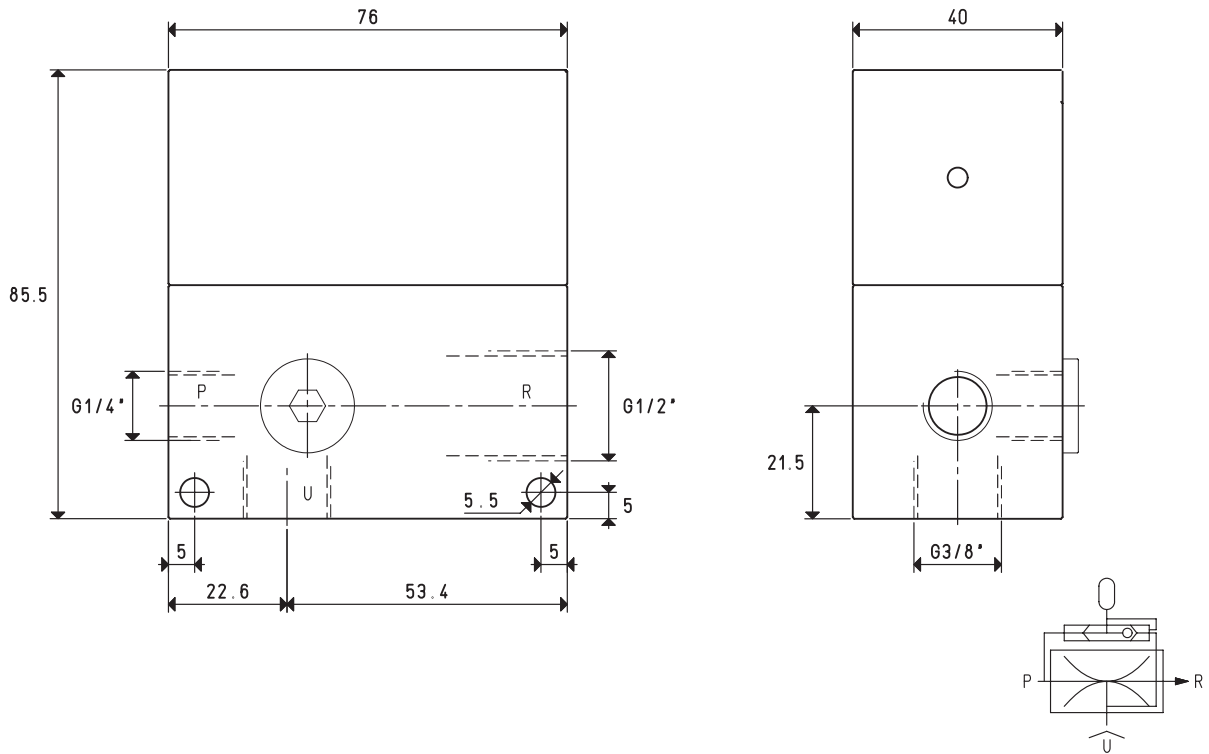


SINGLE-STAGE VACUUM GENERATOR WITH EJECTOR 15 04 10



P=COMPRESSED AIR CONNECTION R=EXHAUST U=VACUUM CONNECTION

Item		15 04 10		
Intake air flow rate	m ³ /h	4.8	5	5
Maximum level of vacuum	-KPa	62	78	85
Final pressure	mbar abs.	380	220	150
Supply pressure	bar	4	5	6
Optimal supply pressure	bar			6
Air consumption	NI/s	1.1	1.3	1.6
Operating temperature	°C			-20 / +80
Noise level at optimal supply pressure	dB(A)			79
Weight	g			501
Spare parts		15 04 10		
Sealing kit	item			00 15 501

Note: All vacuum values indicated in the table are valid at the normal atmospheric pressure of 1013 mbar and obtained with a constant supply pressure.

Vacuum generator supply must be carried out with non-lubricated compressed air, 5 micron filtration, in accordance with standard ISO 8573-1 class 4.

Transformation ratio: N (newton) = Kg x 9.81 (force of gravity)

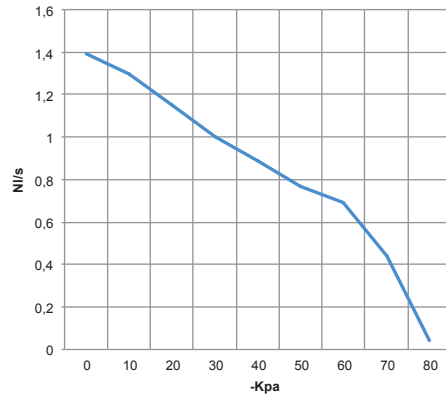
inch = $\frac{\text{mm}}{25.4}$; pounds = $\frac{\text{g}}{453.6} = \frac{\text{Kg}}{0.4536}$

Adapters for GAS - NPT threading available on page 1.130



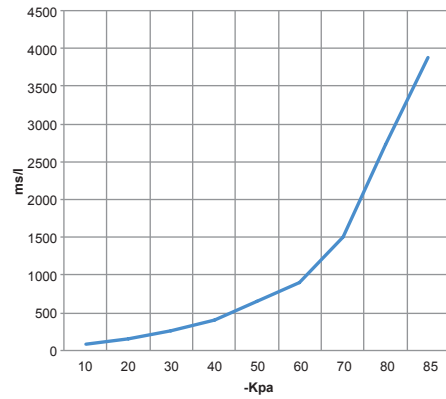
SINGLE-STAGE VACUUM GENERATOR WITH EJECTOR 15 04 10

Air flow rate (NI/s) at different level of vacuum (-KPa) at optimal supply pressure



Generator item	Supp. press. bar	Air consumption NI/s	Air flow rate (NI/s) at different levels of vacuums (-KPa) at optimal supply pressure								Max vacuum -KPa	
			0	10	20	30	40	50	60	70		80
15 04 10	6.0	1.6	1.39	1.30	1.15	1.00	0.89	0.77	0.69	0.44	0.04	85

Evacuation rates (ms/l = s/m³) at different levels of vacuums (-KPa) at optimal supply pressure



Generator item	Supp. press. bar	Air consumption NI/s	Evacuation rates (ms/l = s/m³) at different levels of vacuums (-KPa) at optimal supply pressure							Max vacuum -KPa		
			10	20	30	40	50	60	70		80	85
15 04 10	6.0	1.6	77	154	261	403	649	902	1506	2730	3876	85

ACCESSORIES UPON REQUEST

Silencer item SSX 1/2"

