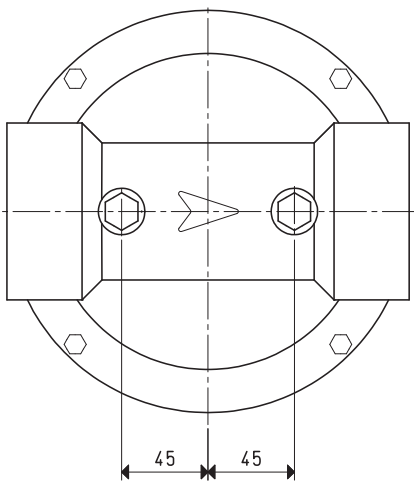
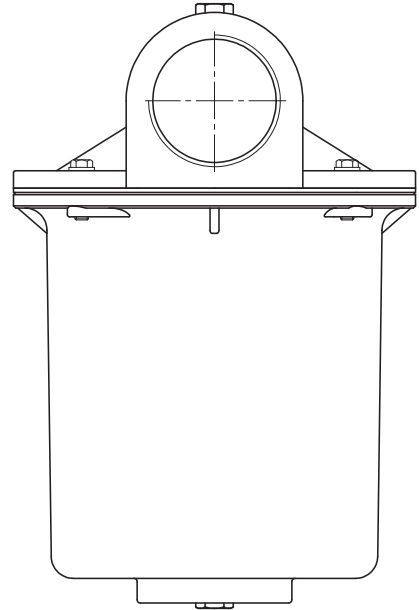
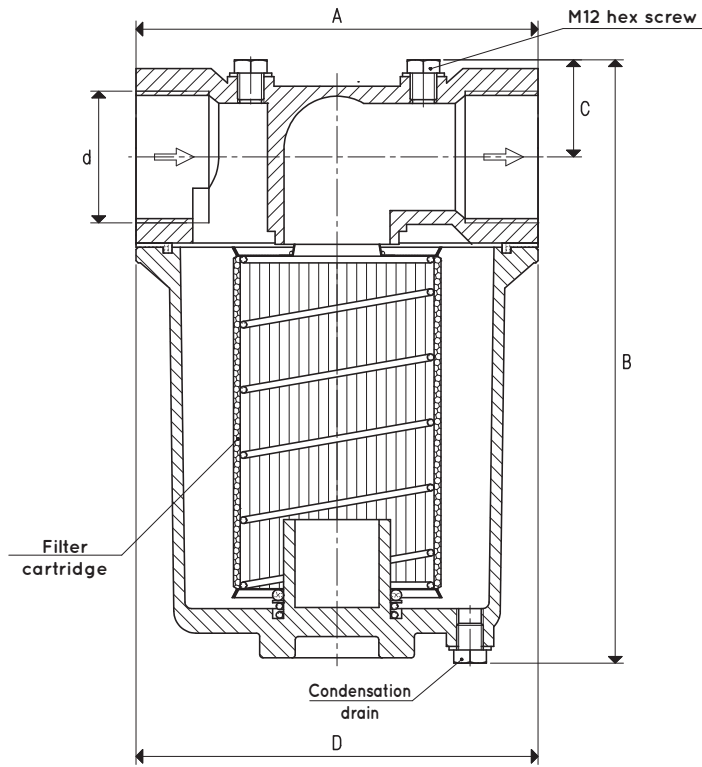




FB SUCTION FILTER WITH METAL CARTRIDGE

3D drawings are available on vuototecnica.net



5

Item	d	A	B	C	D	Flow rate max	Cartridge spare part	Sealing kit and small parts	Weight
	∅				∅	m ³ /h	item	item	g
FB 60	G2"	182	260	42	182	300	00 FB 52	00 KIT FB 60	3.18

Transformation ratio: N (newton) = Kg x 9.81 (force of gravity)

$$\text{inch} = \frac{\text{mm}}{25.4}; \text{pounds} = \frac{\text{g}}{453.6} = \frac{\text{Kg}}{0.4536}$$

Adapters for GAS - NPT threading available on page 1.130