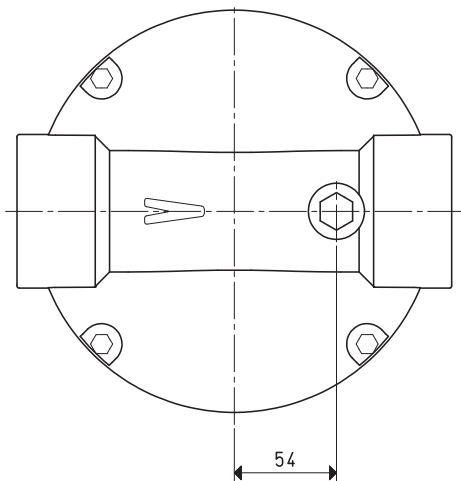
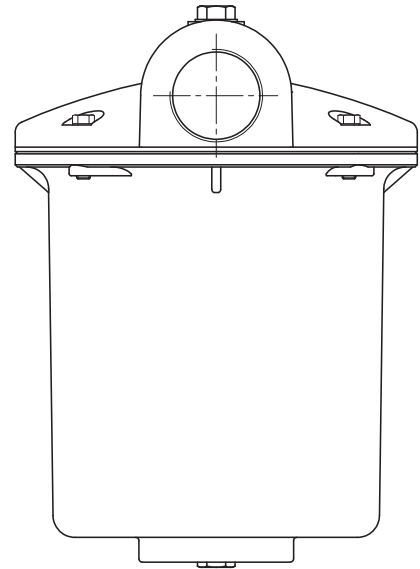
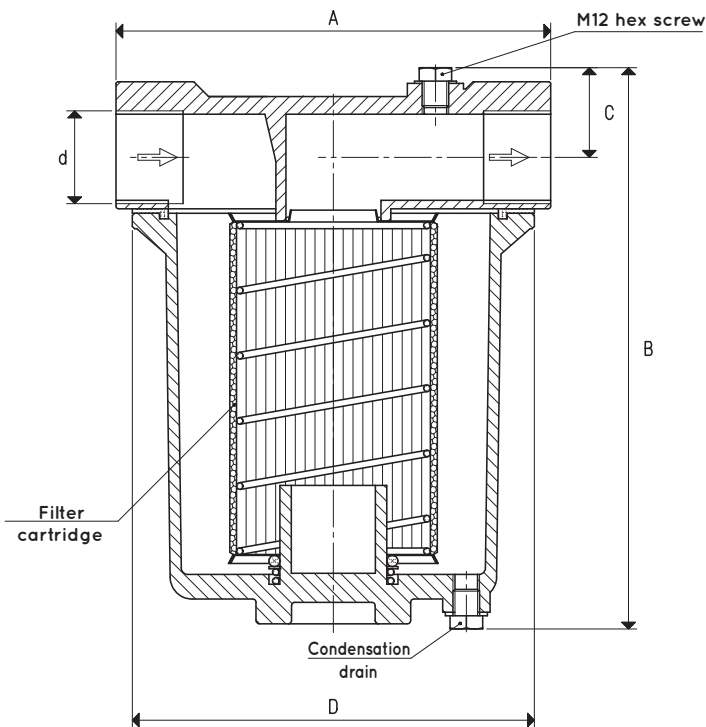


FB SUCTION FILTER WITH METAL CARTRIDGE



3D drawings are available on vuototecnica.net



5

Item	d ∅	A	B	C	D ∅	Flow rate max m³/h	Cartridge spare part item	Sealing kit and small parts item	Weight g
FB 40	G1" 1/4	190	255	39	182	150	00 FB 45	00 KIT FB 40	3.06
FB 50	G1" 1/2	190	255	39	182	200	00 FB 45	00 KIT FB 50	2.99

Transformation ratio: N (newton) = Kg x 9.81 (force of gravity)

inch = $\frac{\text{mm}}{25.4}$; pounds = $\frac{\text{g}}{453.6} = \frac{\text{Kg}}{0.4536}$

Adapters for GAS - NPT threading available on page 1.130