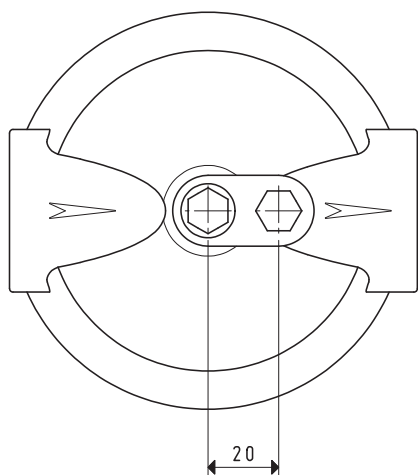
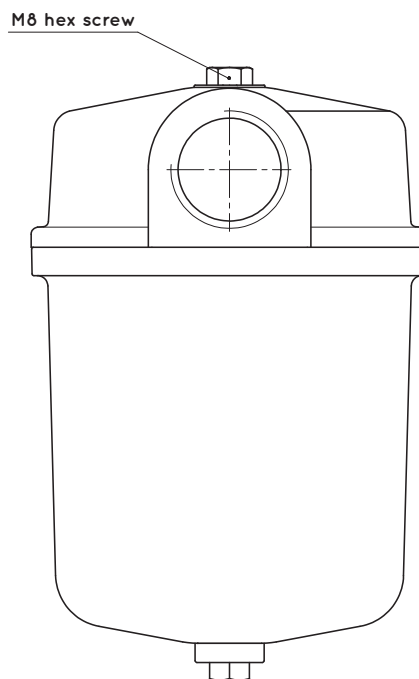
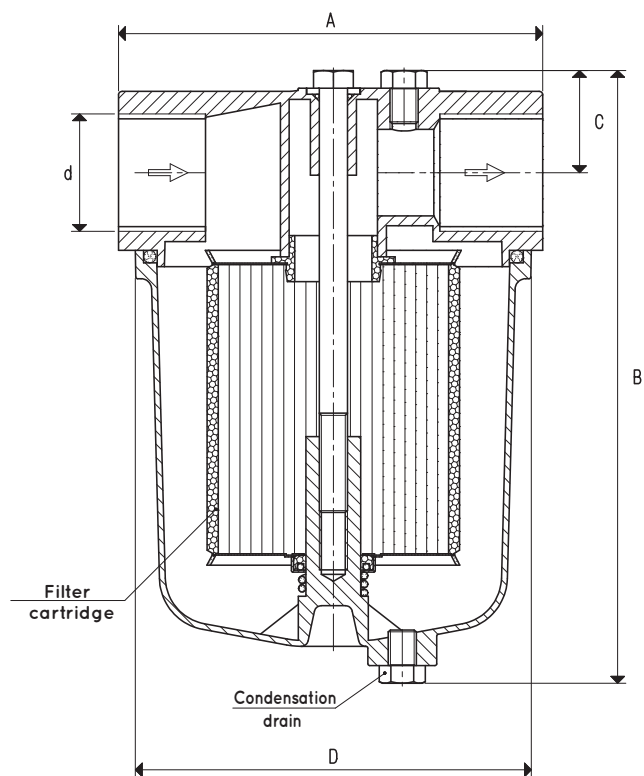




FB SUCTION FILTER WITH METAL CARTRIDGE

3D drawings are available on vuototecnica.net



5

Item	d	A	B	C	D	Flow rate max m ³ /h	Cartridge spare part item	Sealing kit and small parts item	Weight g
FB 30	G1"	120	181	31	112	70	00 FB 34	00 KIT FB 30	758

Transformation ratio: N (newton) = Kg x 9.81 (force of gravity)

inch = $\frac{\text{mm}}{25.4}$; pounds = $\frac{\text{g}}{453.6} = \frac{\text{Kg}}{0.4536}$

Adapters for GAS - NPT threading available on page 1.130