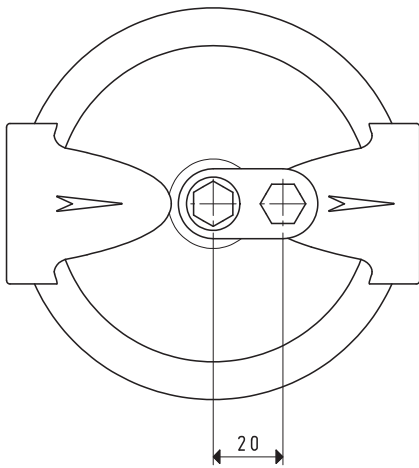
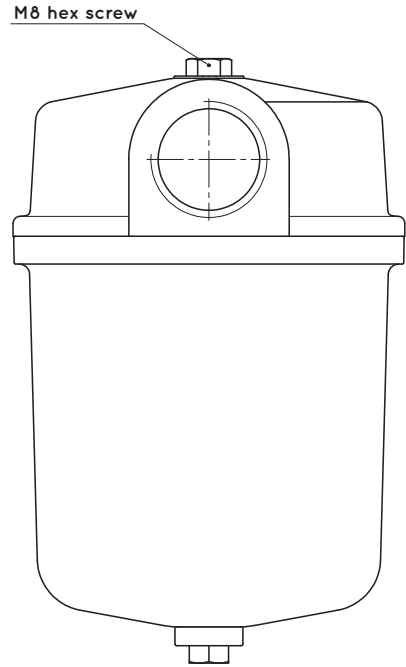
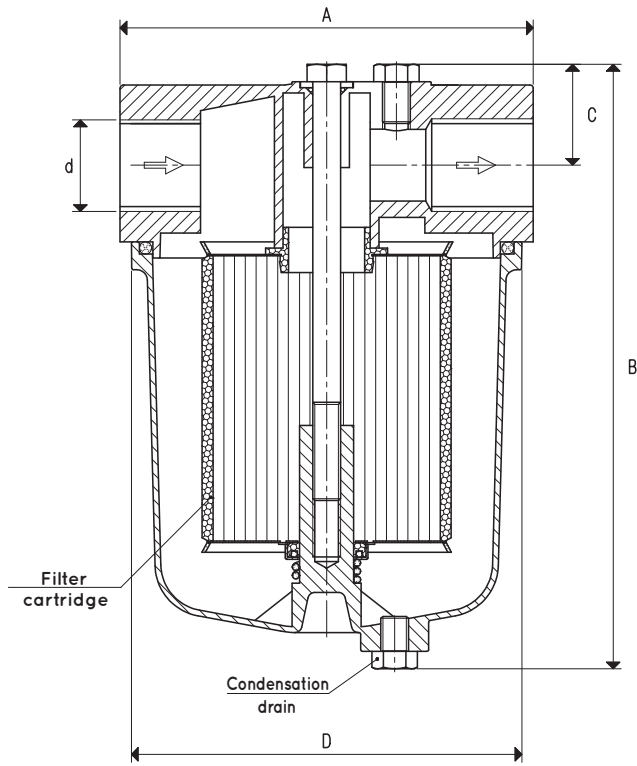


# FB SUCTION FILTER WITH METAL CARTRIDGE



3D drawings are available on [vuototecnica.net](http://vuototecnica.net)



5

Item	d Ø	A	B	C	D Ø	Flow rate max m <sup>3</sup> /h	Cartridge spare part item	Sealing kit and small parts item	Weight g
<b>FB 28</b>	G3/4"	120	181	31	112	40	00 FB 34	00 KIT FB 30	762

Transformation ratio: N (newton) = Kg x 9.81 (force of gravity)

$$\text{inch} = \frac{\text{mm}}{25.4}; \text{pounds} = \frac{\text{g}}{453.6} = \frac{\text{Kg}}{0.4536}$$

Adapters for GAS - NPT threading available on page 1.130