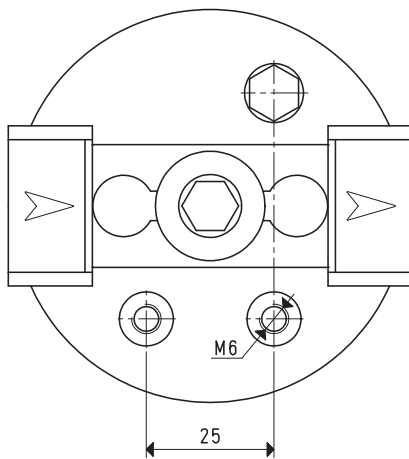
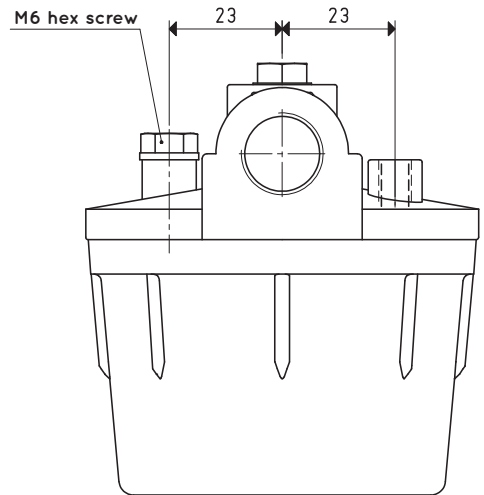
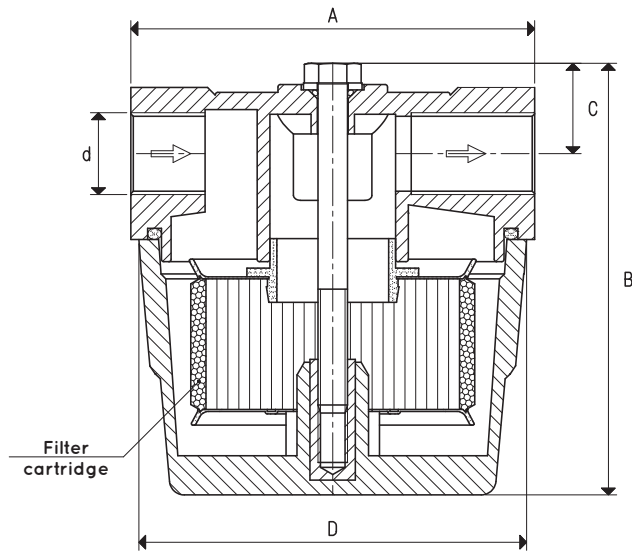




FB SUCTION FILTER WITH METAL CARTRIDGE

3D drawings are available on vuotecnica.net



5

Item	d Ø	A	B	C	D Ø	Flow rate max m ³ /h	Cartridge spare part item	Sealing kit spare part item	Weight g
FB 10	G3/8"	81	87	17	79	10	00 FB 13	00 KIT FB10	258

Transformation ratio: N (newton) = Kg x 9.81 (force of gravity)

inch = $\frac{\text{mm}}{25.4}$; pounds = $\frac{\text{g}}{453.6} = \frac{\text{Kg}}{0.4536}$

Adapters for GAS - NPT threading available on page 1.130